

DOMESTIC AND EUROPEAN "D" & "S"

COUPLERS

PART	DESCRIPTION	SYSTEM	METAL	HANDLE
01138	Sankey Coupler	"D"	All S.S.	Round Pull
01140	Sankey Coupler	"D"	Probe S.S.	Euro Lift
01139	Sankey Coupler	"S"	All S.S.	Round Pull
01141	Sankey Coupler	"S"	Nickel Plated	Wing

PARTS FOR 01138

PART	DESCRIPTION
01147	Ball Retainer
01148	Ball
01150	Check Valve
01151	PRV
01152	Probe Washer
01153	Body Seal
01154	Probe O-Rings

PARTS FOR 01140

PART	DESCRIPTION
01147	Ball Retainer
01150	Check Valve
01151	PRV
01152	Probe Washer
01153	Body Seal
02364	Torpedo Ball
01154	Probe O-Rings

PARTS FOR 01139

PART	DESCRIPTION
01147	Ball Retainer
01148	Ball
01150	Check Valve
01151	PRV
01153	Body Seal
01154	Probe O-Rings
01973	Probe Washer



01138



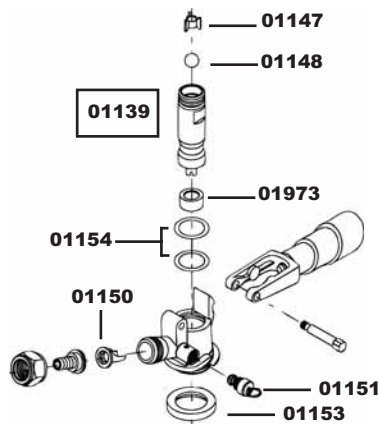
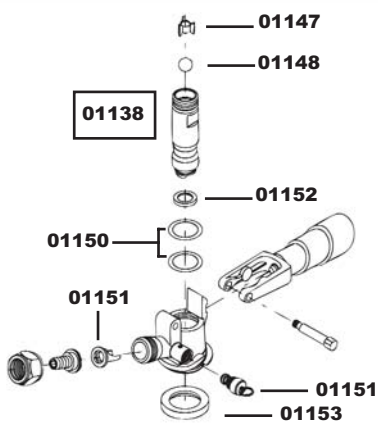
01140



01139



01141



COUPLERS

EUROPEAN "G", "A", & "U"

COUPLERS

PART	DESCRIPTION	SYSTEM	METAL	HANDLE
01144	Bell	"G"	Probe S.S.	Euro Lift
02376	Bell	"G"	Nickel Plated	Pull Handle
01143	Slider	"A"	Probe S.S.	Euro Lift
02375	Slider	"A"	Nickel Plated	Pull Handle
01142	UEC	"U"	Probe S.S.	Euro Lift
02377	UEC	"U"	Nickel Plated	Pull Handle



01144

02376

PARTS FOR 01144

PART	DESCRIPTION
02364	Torpedo Ball
02369	Probe O-Rings
01151	PRV
02372	Check Valve

PARTS FOR 01143

PART	DESCRIPTION
01147	Torpedo Retainer
02364	Torpedo Ball
02370	Probe O-Rings
01151	PRV
02373	Check Valve

PARTS FOR 01142

PART	DESCRIPTION
02364	Torpedo Ball
02371	Probe O-Rings
01151	PRV
02374	Check Valve



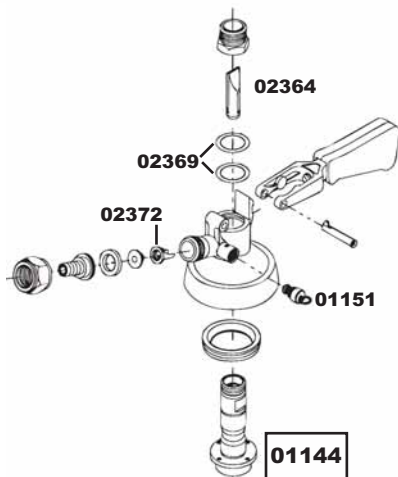
01143

02375

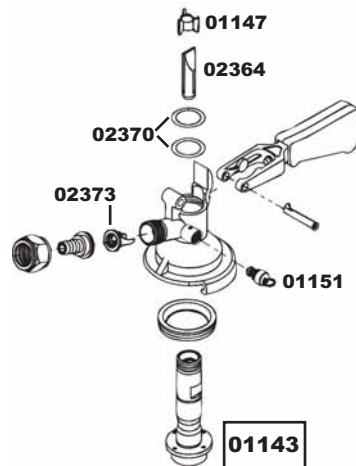


01142

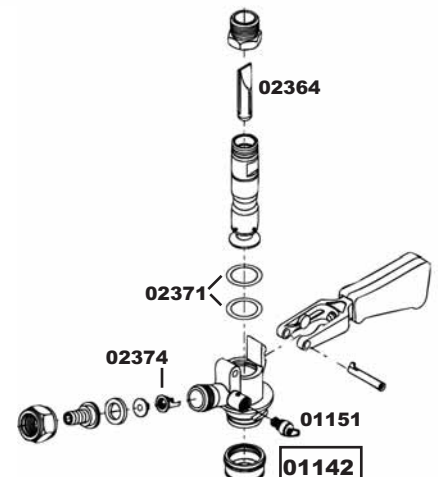
02377



01144



01143



01142